

STEP-BY-STEP INSTRUCTIONS

Please refer to the Video Links for detailed, step-by-step instructions for wiring the end feed. Contact Fiilex Customer Support (filex@filex.com) for any questions

VIDEO LINKS

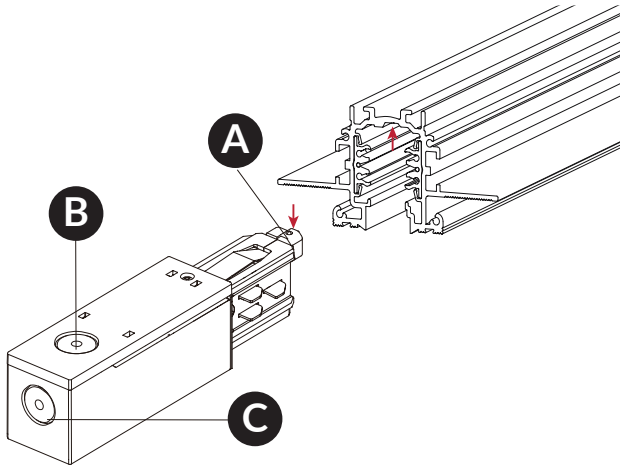


READ AND SAVE ALL INSTRUCTIONS

- Disconnect electrical power before adding to or changing the configuration of the track.
- Do not install this track in damp or wet locations (IP20 , 45°C max).
- Do not install any part of a track system less than 5 ft. above the floor.
- Do not install track on any vertical surface.
- Check with a qualified electrician prior to any installation.
- Do not attempt to energize anything other than the Fiilex track lighting fixtures on the track.
- In order to reduce the risk of fire and electrical shock, do not attempt to connect power tools, extension cords, appliances and the like to the track.
- Do not slide light fixtures along track when relocating. Always remove fixtures and adapters from the track first.
- Before reinstalling in new location, make sure to properly secure the fixtures and adapters to the track.

Wire Power to End Feed

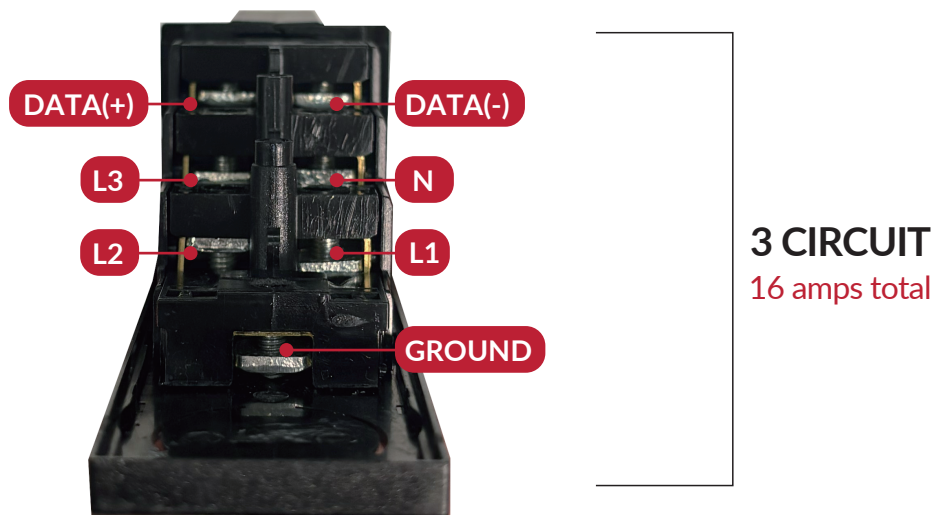
Each End Feed component has (3) circuit, total of 16A combined max load.



In order to correctly wire the system, the End Feed has a mechanical key / groove (A) that ensures the correct insertion into the track. When installing, ensure that the mechanical key is oriented properly.

For the end feed, use either 5x AWG12 or 7x AWG12 wire. Unscrew and remove the end-feed so that contacts are visible. Knock out either B or C to create a hole, and then pass the wire through it. When passing the wire through hole C, the screw cord grip must be used. When using hole B, we recommend a plastic cord grip (not provided). Remove 3-3.5" of protective covering from the wires, then strip approximately 1/2" off the wire.

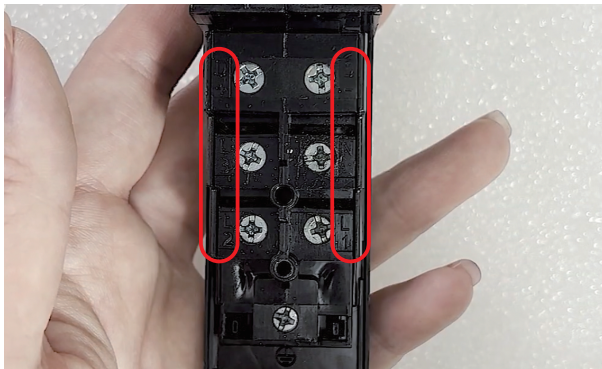
End feed Component with pin-outs



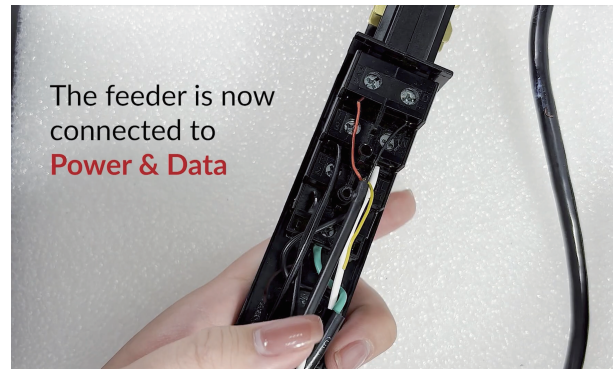
Wire DMX to End Feed

DMX signal requires 2 signal carriers and the polarity of the DMX conductors are labelled on the next to corresponding screws.

DMX Polarity Label



DMX Conductors wired to End Feed



Standard DMX Cabling and Polarity

	XLR5	RJ45	TRRS
Connector			
Description	DMX lighting standard	Architectural, corporate, and fixed installations	Fiilex RPU, P3 / Q3 / G3.
Connector Pin-out			
Signal	Ground	7, 8	Tip
	Data -	2	Ring1 (closest to tip)
	Data +	3	Sleeve